

## Power Mold® U-Guard Pole Riser Systems

**Power Mold®** pole riser systems offer a variety of plastic U-Guards for mechanical protection of power and communications cable installed vertically on the side of a utility pole.

The **Power Mold®** system is non-conductive, lightweight, and impact-resistant. **Power Mold®** systems are installed over the cable, eliminating cable pull-through. The U-shape contour of the system provides greater cable fill capacity than that of a round riser of the same nominal size.

Components of the **Power Mold®** systems include U-guard sections, back-up plates, ventilation boots, and reducer boots. U-guard sections have flanged sides that are slotted for easy fastening to the pole. Parts are interchangeable, and modifications or additional accessories can be made to meet virtually any requirement.

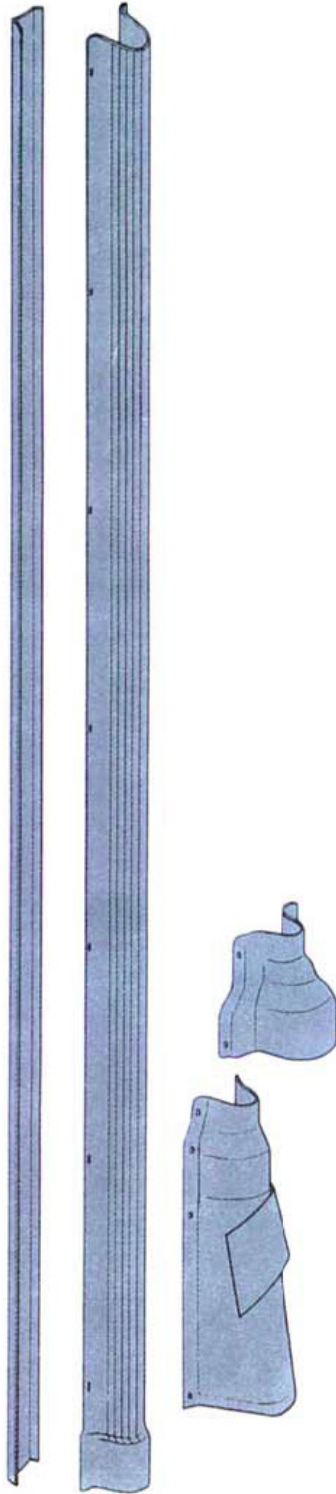
**Power Mold®** Utility risers are more visually appealing than round riser systems, or unsightly bare wire. Power Mold® comes standard in gray to blend in naturally with the environment, and its low profile hugs the pole.

**Power Mold®** is nonmetallic, and will not rust or rot, and also prevents accidental grounding. Back-up plates are available to isolate the wire and cables from the pole.

**Power Mold®** also features a universal adaptor boot option designed to accommodate the easy transition from underground to virtually any size U-guard.

### Benefits

- Easy To Install
- High Strength
- Safety Features
- Ribbed Surface
- No Maintenance
- Performance
- Belled End
- Material Options
- Lower Cost
- Ventilation Boots
- Reducer Boot of U-guard riser
- Universal Adaptor Boot

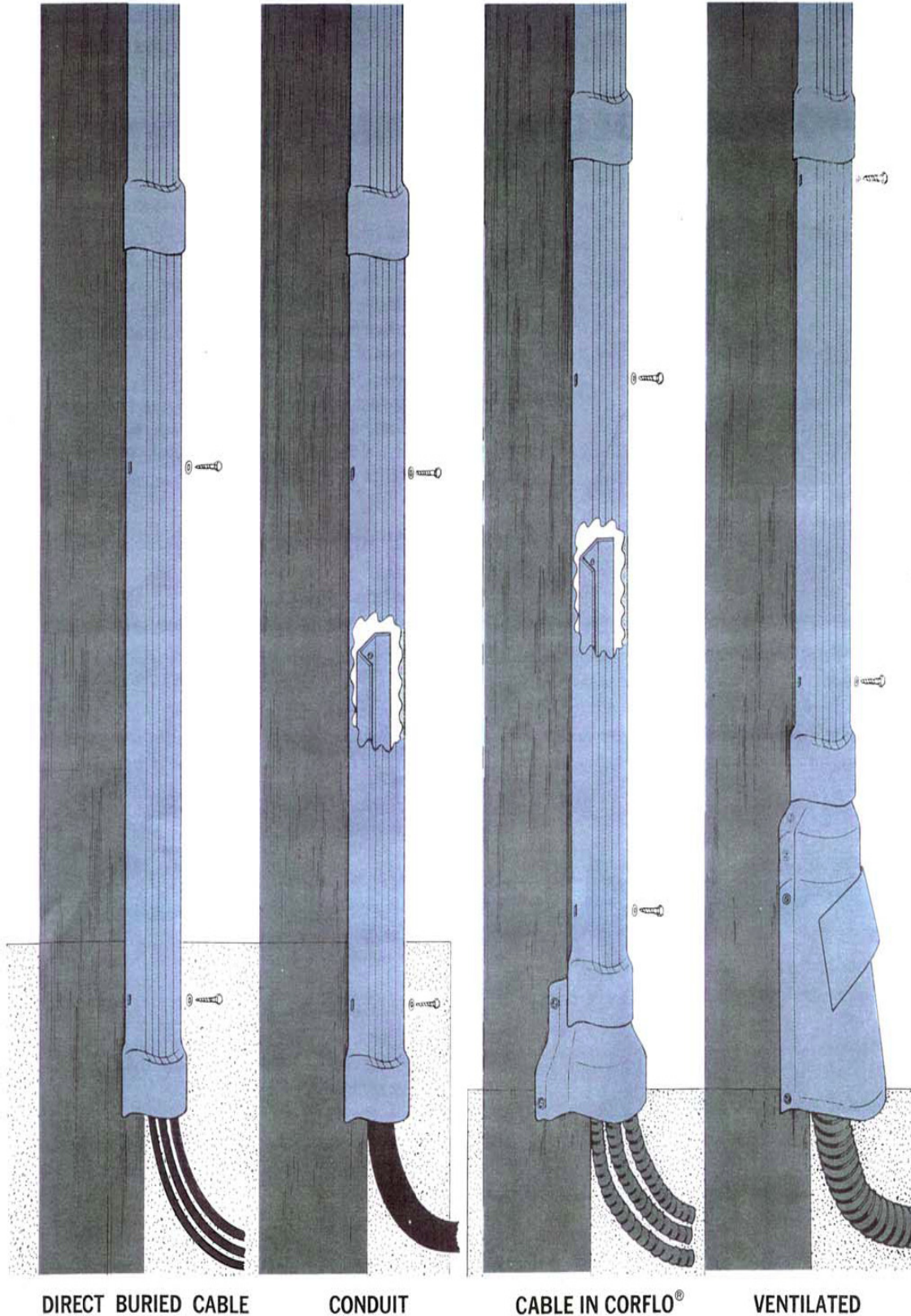


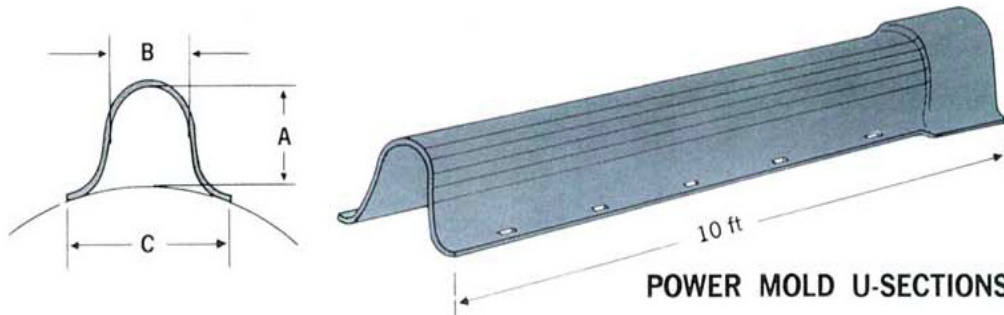


**R.I.E.S**  
READY TO EQUIPMENT SOLUTIONS & UTILITY DISTRIBUTION

**ILPEA**  
INDUSTRIES  
INCORPORATED

905 396 5964  
shane@riesequipment.ca  
riesequipment.ca





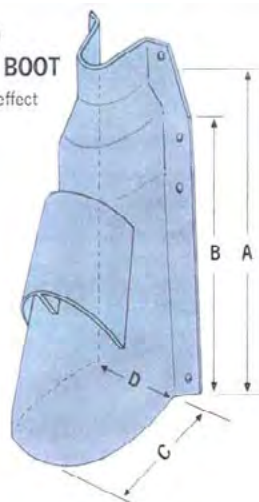
**POWER MOLD U-SECTIONS**

	Size, in.	Catalog Number	Nominal Dimensions, in.			
			A	B	C	Wall Thickness
Heavy Duty	2	PM2-80	2 1/8	2	4 7/8	.210
	3	PM3-80	3 3/8	3	6 1/4	.300
	2	PM2-40	2 1/8	2	4 7/8	.155
	3	PM3-40	3 3/8	3	6 1/4	.216
	4	PM4-40	4 1/8	4	7 1/4	.237
Standard Duty	5	PM5-40	5 1/2	5	8 1/8	.260
	6	PM6-40	6 1/2	6	8 1/2	.280
	2	PM2-30	2 1/8	2	4 7/8	.100
	3	PM3-30	3 3/8	3	6 1/4	.150
	4	PM4-30	4 1/2	4	7 1/4	.150
5	PM5-30	5 1/2	5	8 1/8	.150	

Slots: 3/4 x 5/16 in., located 4 in. from belled end and then spaced 18 in. apart. Fasten sections to pole with 1/4 x 2 1/2-in. lag screws.

**POWER MOLD VENTILATION BOOT**

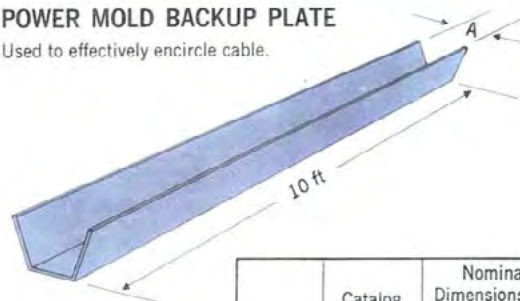
Used for chimney effect to cool cable.



Size, in.	Catalog Number	Nominal Dimensions, in.			
		A	B	C	D
2	PMA-23	18	—	6	6
3	PMA-23	—	15	6	6
4	PMA-45	18	—	10	7
5	PMA-45	—	15	10	7
6	PMA-6L	22	—	16	9

**POWER MOLD BACKUP PLATE**

Used to effectively encircle cable.



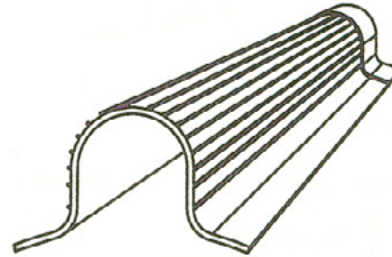
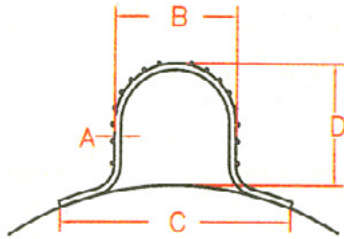
Size, in.	Catalog Number	Nominal Dimensions, in.
		A
2	PM B-2	2
3	PM B-3	3
4	PM B-4	4
5	PM B-5	5
6	PM B-6	6

**POWER MOLD REDUCER BOOT**

Used to reduce conduit to one size smaller Power Mold.



Size, in.	Catalog Number
3 x 2	PMR—3 x 2
4 x 2	PMR—4 x 2
4 x 3	PMR—4 x 3
5 x 4	PMR—5 x 4
6 x 5	PMR—6 x 5

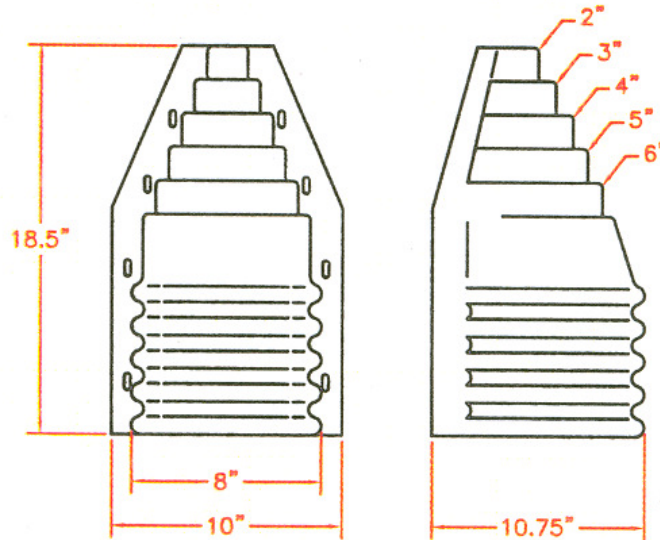


**NOMINAL DIMENSIONS (INCHES)**

SIZE	CATALOG No.	DIM. A	DIM. B	DIM. C	DIM. D
2	PM2-PE	.125	2.375	4.500	2.375
3	PM3-PE	.150	3.500	6.000	3.500
4	PM4-PE	.170	4.500	6.500	4.500
5	PM5-PE	.170	5.500	7.500	5.500

Slots 3/4" x 5/16" located 4 inches from belled end and then spaced 18 inches apart.  
Fasten sections to pole with 1/4" x 2-1/2" lag screws.

**UNIVERSAL  
ADAPTER  
BOOT  
PMAB-26PE**



**INSTALLATION**

- A. Attach backup plate (optional) to the pole, using roofing nai
- B. Install cables, placing them in the backup plate.
- C. Starting at the bottom, place U-guard sections over cables and backup plate. Attach to the pole with lag screws and washers. Use every other slot in sections 8 feet above grade.